

## Produkt



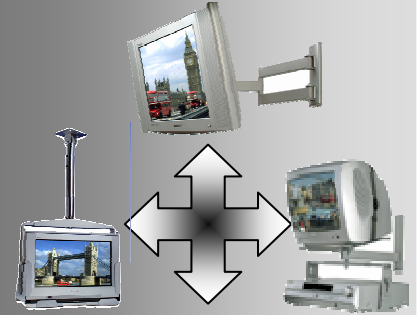
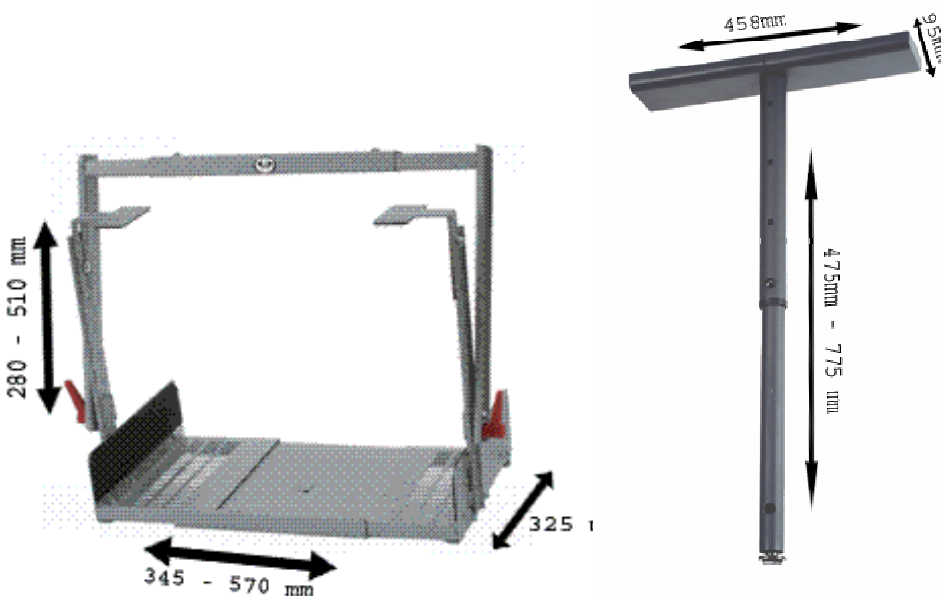
**TV Balkenhalter: BT 7600**

**Artikelnummer: 1020**

## Technische Daten

maximale Belastbarkeit:	<b>50 kg</b>
Verfügbare Farben:	<b>graphitschwarz, silber,</b>
TÜV/GS-Zulassung:	<b>ja</b>
Standart Garantie:	<b>2 Jahre</b>

## Technische Zeichnung



TV - Halter  
Monitor - Halter  
LCD - Halter  
Rollwagen  
TFT – Halter  
Drehteller  
Beamer - Halter  
Plasma – Halter

Adresse:  
Roland Walter  
Heinrich-Hertz-Str. 5  
86179 Augsburg

Kontakt:  
Tel: 0821 – 88 86 33  
Fax: 0821- 81 51 145  
Internet:  
[www.wandhaltershop.de](http://www.wandhaltershop.de)  
email: [re-mote@re-mote.com](mailto:re-mote@re-mote.com)

Bankverbindung  
Stadtsparkasse Augsburg  
BLZ: 720 500 00  
KTO: 240 373 555

Inhaber: Walter Roland

Es gelten unsere AGB's

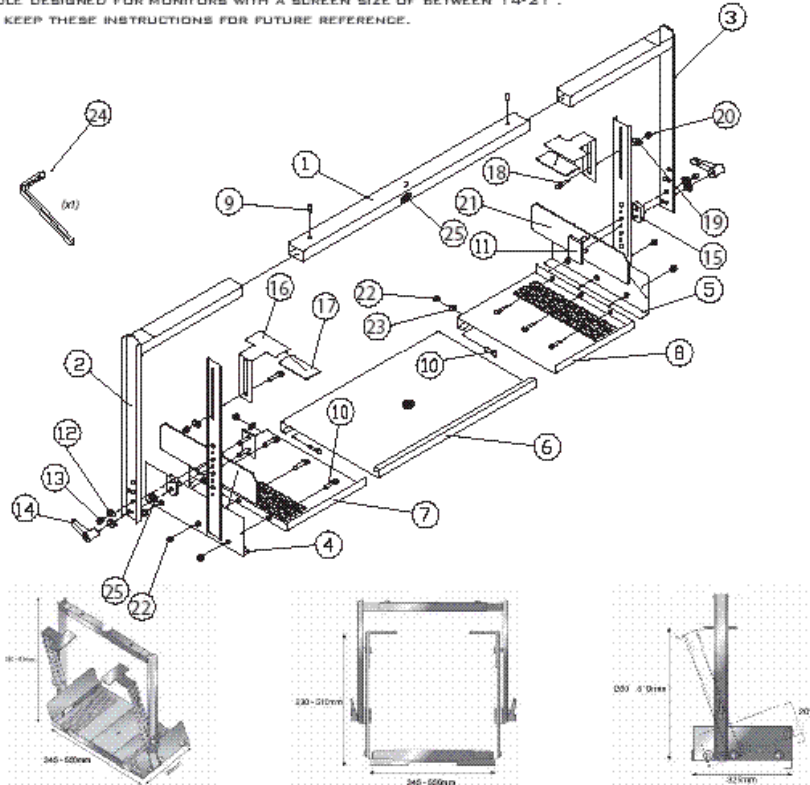
# Explosions- Zeichnung zu Artikel 1020

## MONITOR CRADLE ASSEMBLY INSTRUCTIONS

THIS PACK CONTAINS 1 CRADLE DESIGNED FOR MONITORS WITH A SCREEN SIZE OF BETWEEN 14-21".  
PLEASE KEEP THESE INSTRUCTIONS FOR FUTURE REFERENCE.

### PARTS LIST

Part Number	Description	Quantity
1	MAIN SUPPORT ARM	1
2	LEFT EXTENSION BRACKET	1
3	RIGHT EXTENSION BRACKET	1
4	LEFT EXTENSION PLATFORM	1
5	RIGHT EXTENSION PLATFORM	1
6	CENTRAL PLATFORM	1
7	LEFT PLATFORM	1
8	RIGHT PLATFORM	1
9	SAFETY SCREW 1/4" x 3/8"	2
10	SCREW M6 x 12mm	8
11	ADJUSTING PLATE	2
12	M10 WASHER	2
13	M10 NUT	2
14	TILT ADJUSTMENT LEVER	2
15	METAL SPACER	2
16	TV TOP CLAMP	2
17	TV PROTECTION PAD - Small	2
18	COACH BOLT	2
19	M8 WASHER	4
20	M8 NUT	2
21	TV PROTECTION PAD - Large	2
22	M6 NUT	8
23	M6 WASHER	2
24	M3 ALLEN KEY	1
25	LOGO STICKERS	2



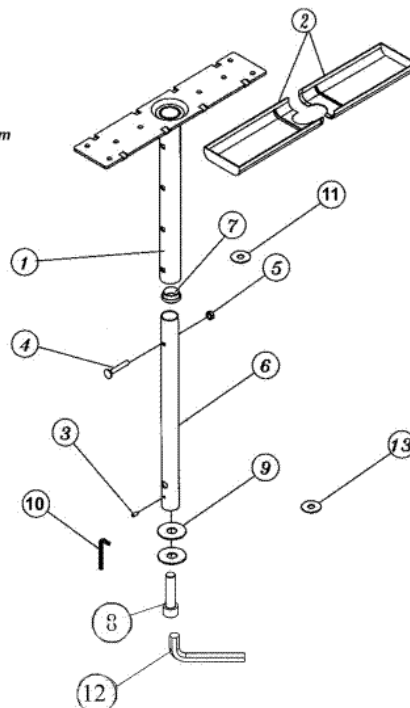
**IMPORTANT :** THIS MOUNT MUST BE INSTALLED BY A PROFESSIONAL INSTALLER. PLEASE PAY CAREFUL ATTENTION TO WHERE THIS MOUNT IS LOCATED. SOME WALLS ARE NOT SUITABLE FOR INSTALLATION. WHEN DRILLING HOLES IT IS PARTICULARLY IMPORTANT TO TAKE CARE OF ELECTRICAL CABLES, WATER OR GAS PIPES IN THE WALL. IT IS IMPORTANT THAT ALL FIXATION SCREWS SUPPLIED ARE USED.

B-TECH INTERNATIONAL LTD., ITS DISTRIBUTORS AND DEALERS ARE NOT RESPONSIBLE FOR DAMAGE OR INJURY CAUSED BY IMPROPER INSTALLATION.

PLEASE KEEP THESE INSTRUCTIONS FOR FUTURE REFERENCE

Adjustable Ceiling Drop : 475mm - 775mm

Part Number	Part Name	Quantity
1	CEILING PLATE + Ø42mm TUBE	1
2	BEAM COVER PLATE	1
3	BRAKE SCREW	1
4	M8 COACH BOLT	1
5	M8 NYLOC NUT	1
6	Ø35mm INNER EXTENSION TUBE	1
7	RUBBER CONNECTING SLEEVE	1
8	M16 SCREW	1
9	LARGE WASHER	2
10	ALLEN KEY	1
11	SMALL WASHER	1
12	M14 ALLEN KEY	1



**IMPORTANT :** PLEASE NOTE THAT WALL / CEILING FIXING SCREWS ARE NOT INCLUDED WITH THIS PRODUCT.

B-TECH HIGHLY RECOMMENDS THAT THIS PRODUCT SHOULD BE INSTALLED BY A PROFESSIONAL.

THE INSTALLER MUST SATISFY THEMSELVES THAT ALL FIXING SCREWS ARE SUITABLE FOR INSTALLING THIS MOUNT.

PLEASE PAY CAREFUL ATTENTION TO WHERE THIS MOUNT IS LOCATED. SOME WALLS / CEILINGS ARE NOT SUITABLE FOR INSTALLATION. WHEN DRILLING HOLES IT IS PARTICULARLY IMPORTANT TO TAKE CARE OF ELECTRICAL CABLES, WATER OR GAS PIPES IN THE WALL.