

Produkt



TV Stahlbalkenhalter: ST 7000

Artikelnummer: 1022

Technische Daten

maximale Belastbarkeit:	90 kg
Verfügbare Farben:	graphitschwarz, silber, chrom
TÜV/GS-Zulassung:	ja
Standart Garantie:	2 Jahre

Technische Zeichnung



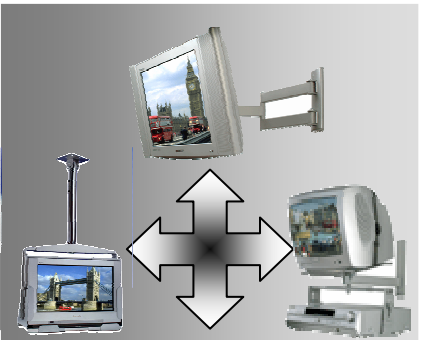
Adresse:
Roland Walter
Heinrich-Hertz-Str. 5
86179 Augsburg

Kontakt:
Tel: 0821 - 88 86 33
Fax: 0821- 81 51 145
Internet:
www.wandhaltershop.de
email: re-mote@re-mote.com

Bankverbindung
Stadtsparkasse Augsburg
BLZ: 720 500 00
KTO: 240 373 555

Inhaber: Walter Roland

Es gelten unsere AGB's



TV - Halter

Monitor - Halter

LCD - Halter

Rollwagen

TFT - Halter

Drehteller

Beamer - Halter

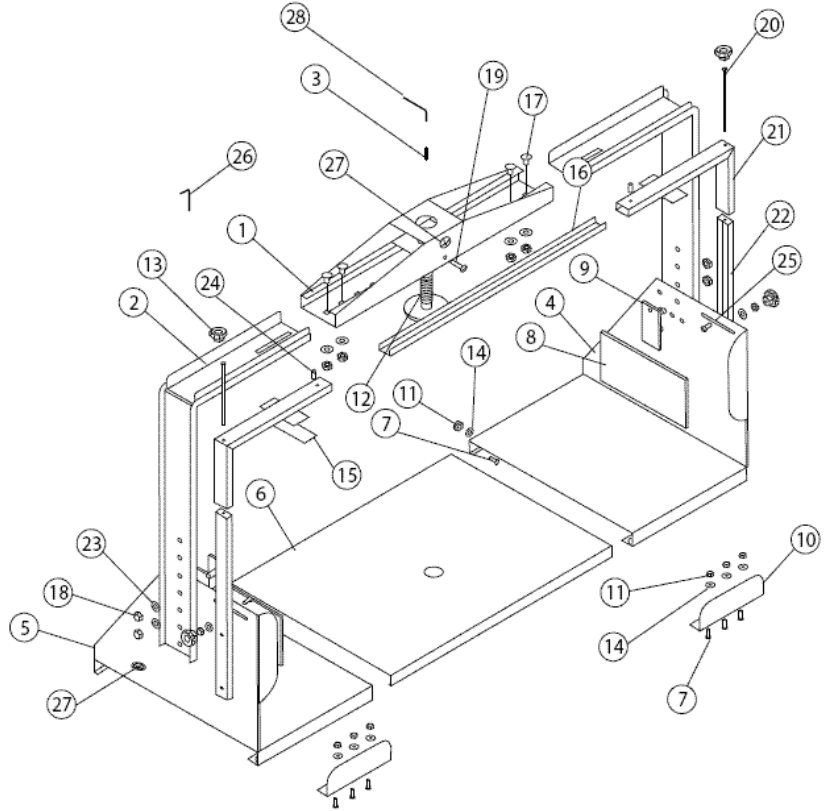
Plasma - Halter

Explosions- Zeichnung zu Artikel 1022

PLEASE KEEP THESE INSTRUCTIONS FOR FUTURE REFERENCE.

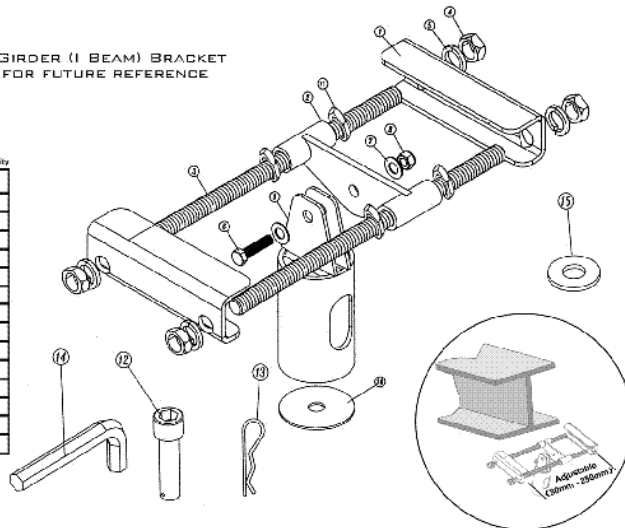
PARTS LIST

Part Number	Description	Quantity
1	MAIN SUPPORT ARM	1
2	EXTENSION BRACKET	2
3	SAFETY SCREW M5 x 30mm	1
4	RIGHT EXTENSION PLATFORM	1
5	LEFT EXTENSION PLATFORM	1
6	PLATFORM BASE	1
7	SCREW M6 x 12mm	8
8	FOAM PAD	2
9	ANGLE ADJUSTMENT PLATE	2
10	FRONT RETENTION PLATE	2
11	M6 NUT	10
12	SUPPORT BOLT	1
13	THUMBWHEEL	4
14	WASHER 13mm	10
15	FOAM PAD	2
16	TV CLAMP-TOP TIE BAR	1
17	SCREW M8 x 16mm	4
18	M8 NUT	8
19	SCREW M8 x 40mm	1
20	SCREW M6 x 200mm	2
21	TV CLAMP-SIDE BRACKET	2
22	TV CLAMP-SIDE SUPPORTS	2
23	WASHER 19mm	8
24	ADJUSTMENT SCREW	2
25	SCREW M6 x 25	2
26	ALLEN KEY M3	1
27	LOGO	2
28	ALLEN KEY M2.5	1

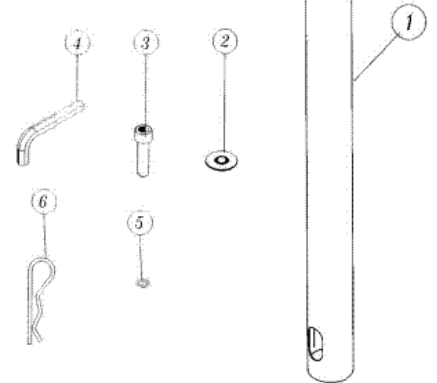


THIS PACK CONTAINS 1 CEILING GIRDER (I BEAM) BRACKET
PLEASE KEEP THIS PARTS LIST FOR FUTURE REFERENCE

Part Number	Part Name	Quantity
1	GIRDER CLAMP	2
2	ADJUSTABLE BRACKET	1
3	M16 THREADED ROD	2
4	M16 NUT	4
5	SPRING WASHER	4
6	M10 x 30mm EOLT	1
7	M10 WASHER 1mm	2
8	M10 NYLOC NUT	1
9	Ø 60mm TUBE ADAPTOR	1
10	Ø 60mm WASHER 2.5mm	1
11	M16 LOCKING NUT	4
12	M16 x L75mm SCREW	1
13	SPRING CLIP	1
14	M14 ALLEN KEY	1
15	Ø38mm WASHER	1



Part Number	Part Name	Quantity
1	50cm ø 60mm POLE	1
2	WASHER	1
3	M16 x L50mm ALLEN SCREW	1
4	M14 ALLEN KEY	1
5	RUBBER RETAINING RING	1
6	SPRING CLIP	1



Adjustable Width:
Min. 80mm (3") - Max. 250mm (10")