

Produkt



TV Stahlbalkenhalter: ST 7600

Artikelnummer: 1023

Technische Daten

maximale Belastbarkeit:	50 kg
Verfügbare Farben:	graphitschwarz, silber, chrom
TÜV/GS-Zulassung:	ja
Standart Garantie:	2 Jahre

Technische Zeichnung



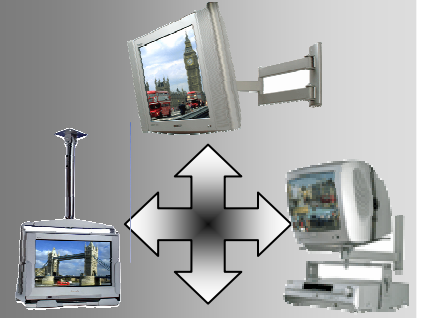
Adresse:
Roland Walter
Heinrich-Hertz-Str. 5
86179 Augsburg

Kontakt:
Tel: 0821 – 88 86 33
Fax: 0821- 81 51 145
Internet:
www.wandhaltershop.de
email: re-mote@re-mote.com

Bankverbindung
Stadtsparkasse Augsburg
BLZ: 720 500 00
KTO: 240 373 555

Inhaber: Walter Roland

Es gelten unsere AGB's



TV - Halter

Monitor - Halter

LCD - Halter

Rollwagen

TFT – Halter

Drehteller

Beamer - Halter

Plasma – Halter

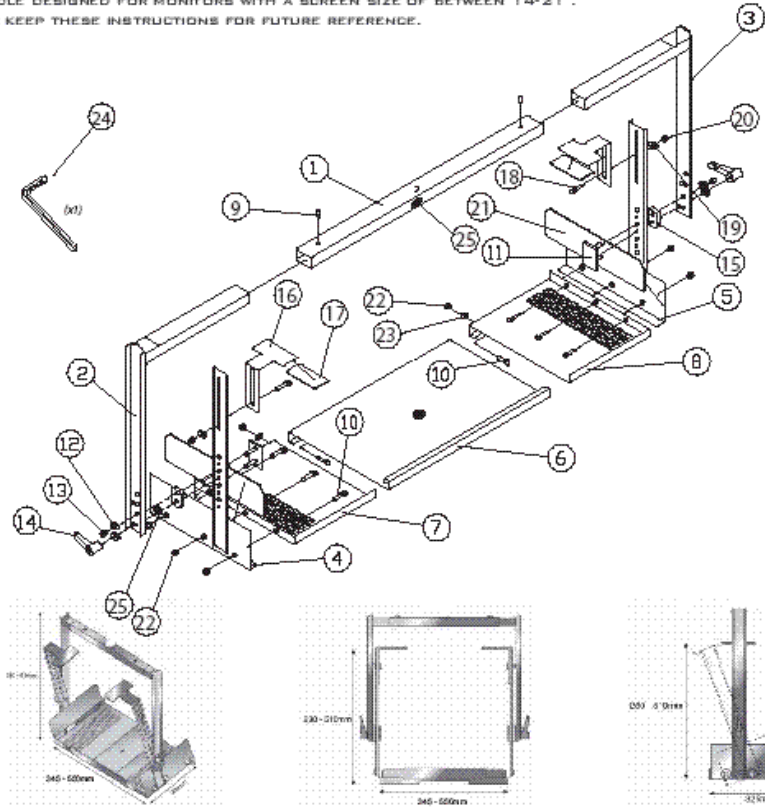
Explosions- Zeichnung zu Artikel 1023

MONITOR CRADLE ASSEMBLY INSTRUCTIONS

THIS PACK CONTAINS 1 CRADLE DESIGNED FOR MONITORS WITH A SCREEN SIZE OF BETWEEN 14-21".
PLEASE KEEP THESE INSTRUCTIONS FOR FUTURE REFERENCE.

PARTS LIST

Part Number	Description	Quantity
1	MAIN SUPPORT ARM	1
2	LEFT EXTENSION BRACKET	1
3	RIGHT EXTENSION BRACKET	1
4	LEFT EXTENSION PLATFORM	1
5	RIGHT EXTENSION PLATFORM	1
6	CENTRAL PLATFORM	1
7	LEFT PLATFORM	1
8	RIGHT PLATFORM	1
9	SAFETY SCREW 1/4" x 3/8"	2
10	SCREW M6 x 12mm	8
11	ADJUSTING PLATE	2
12	M10 WASHER	2
13	M10 NUT	2
14	TILT ADJUSTMENT LEVER	2
15	METAL SPACER	2
16	TV TOP CLAMP	2
17	TV PROTECTION PAD - Small	2
18	COACH BOLT	2
19	M8 WASHER	4
20	M8 NUT	2
21	TV PROTECTION PAD - Large	2
22	M6 NUT	8
23	M6 WASHER	2
24	M3 ALLEN KEY	1
25	LOGO STICKERS	2

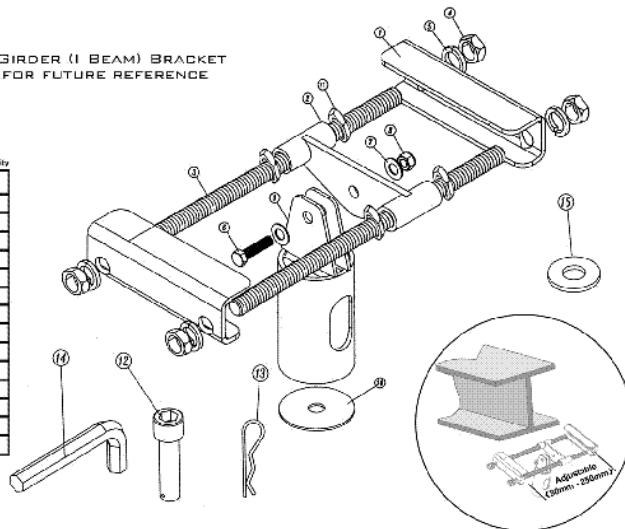


IMPORTANT: THIS MOUNT MUST BE INSTALLED BY A PROFESSIONAL INSTALLER. PLEASE PAY CAREFUL ATTENTION TO WHERE THIS MOUNT IS LOCATED. SOME WALLS ARE NOT SUITABLE FOR INSTALLATION. WHEN DRILLING HOLES IT IS PARTICULARLY IMPORTANT TO TAKE CARE OF ELECTRICAL CABLES, WATER OR GAS PIPES IN THE WALL. IT IS IMPORTANT THAT ALL FIXATION SCREWS SUPPLIED ARE USED.

B-TECH INTERNATIONAL LTD., ITS DISTRIBUTORS AND DEALERS ARE NOT RESPONSIBLE FOR DAMAGE OR INJURY CAUSED BY IMPROPER INSTALLATION.

THIS PACK CONTAINS 1 CEILING GIRDER (I BEAM) BRACKET
PLEASE KEEP THIS PARTS LIST FOR FUTURE REFERENCE.

Part Number	Part Name	Quantity
1	GIRDER CLAMP	2
2	ADJUSTABLE BRACKET	1
3	M16 THREADED ROD	2
4	M16 NUT	4
5	SPRING WASHER	4
6	M10 x 30mm BOLT	1
7	M10 WASHER 1mm	2
8	M10 NYLOC NUT	1
9	Ø 60mm TUBE ADAPTOR	1
10	Ø 60mm WASHER 2.5mm	1
11	M16 LOCKING NUT	4
12	M16 x L75mm SCREW	1
13	SPRING CLIP	1
14	M14 ALLEN KEY	1
15	Ø38mm WASHER	1



Adjustable Width:
Min. 80mm (3") - Max. 250mm (10")

Part Number	Part Name	Quantity
1	50cm ø 60mm POLE	1
2	WASHER	1
3	M16 x L50mm ALLEN SCREW	1
4	M14 ALLEN KEY	1
5	RUBBER RETAINING RING	1
6	SPRING CLIP	1

