

Produkt



Plasma Screen

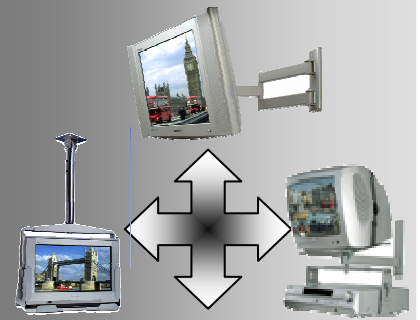
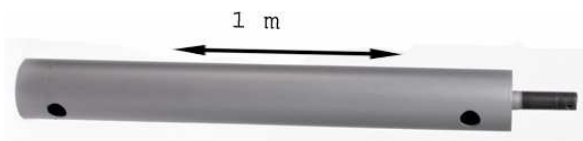
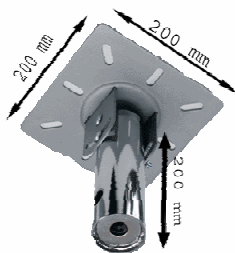
Deckenhalter: PS DT 8016 EL

Artikelnummer: 1028

Technische Daten

maximale Belastbarkeit:	70 kg
Verfügbare Farben:	graphitschwarz, silber, chrom
TÜV/GS-Zulassung:	nein
Standart Garantie:	2 Jahre

Technische Zeichnung



TV - Halter
Monitor - Halter
LCD - Halter
Rollwagen
TFT – Halter
Drehteller
Beamer - Halter
Plasma – Halter

Adresse:
Roland Walter
Heinrich-Hertz-Str. 5
86179 Augsburg

Kontakt:
Tel: 0821 – 88 86 33
Fax: 0821- 81 51 145
Internet:
www.wandhaltershop.de
email: re-mote@re-mote.com

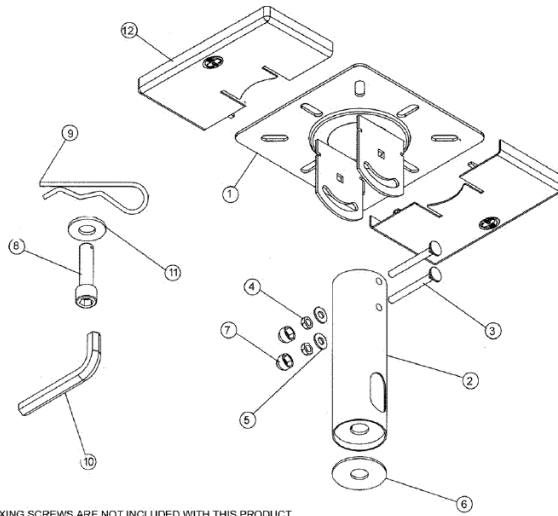
Bankverbindung
Stadtsparkasse Augsburg
BLZ: 720 500 00
KTO: 240 373 555

Inhaber: Walter Roland

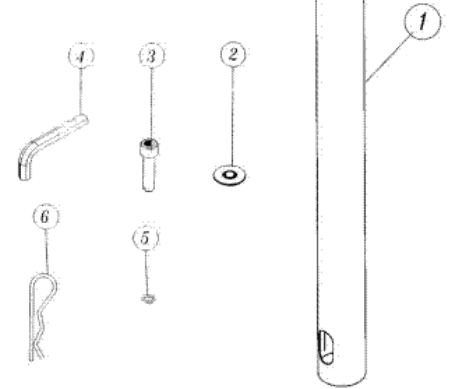
Es gelten unsere AGB's

Explosions- Zeichnung zu Artikel 1028

Number	Part Name	Quantity
1	CEILING MOUNT PLATE (200mm x 200mm)	1
2	200mm EXTENSION TUBE (60mmØ)	1
3	M8 COACH BOLT	2
4	M8 NUT	2
5	ø19mm WASHER	2
6	ø60mm WASHER	1
7	M8 NUT COVER	2
8	M16 x L75mm SCREW	1
9	SPRING CLIP	1
10	ALLEN KEY	1
11	WASHER ø38mm	1
12	COVER PLATE	2



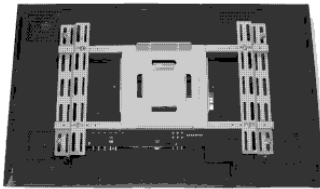
Part Number	Part Name	Quantity
1	1 METRE ø 60mm POLE	1
2	WASHER	1
3	M16 x L50mm ALLEN SCREW	1
4	M14 ALLEN KEY	1
5	RUBBER RETAINING RING	1
6	SPRING CLIP	1



IMPORTANT: PLEASE NOTE THAT WALL / CEILING FIXING SCREWS ARE NOT INCLUDED WITH THIS PRODUCT. B-TECH HIGHLY RECOMMENDS THAT THIS PRODUCT SHOULD BE INSTALLED BY A PROFESSIONAL. THE INSTALLER MUST SATISFY THEMSELVES THAT ALL FIXING SCREWS ARE SUITABLE FOR INSTALLING THIS MOUNT. PLEASE PAY CAREFUL ATTENTION TO WHERE THIS MOUNT IS LOCATED. SOME WALLS / CEILINGS ARE NOT SUITABLE FOR INSTALLATION. WHEN DRILLING HOLES IT IS PARTICULARLY IMPORTANT TO TAKE CARE OF ELECTRICAL CABLES, WATER OR GAS PIPES IN THE WALL.

UNIVERSAL INTERFACE KIT FOR MOUNTING LARGE FLAT PANEL DISPLAYS ASSEMBLY AND INSTALLATION

PLEASE KEEP THESE INSTRUCTIONS FOR FUTURE REFERENCE.



IMPORTANT: DUE TO THE HEAVY WEIGHT OF PLASMA SCREENS, B-TECH RECOMMENDS THAT A PROFESSIONAL INSTALLER IS USED WHEN MOUNTING THIS BRACKET AND PLASMA. B-TECH INTERNATIONAL LTD., ITS DISTRIBUTORS AND DEALERS ARE NOT RESPONSIBLE FOR DAMAGE OR INJURY CAUSED BY IMPROPER INSTALLATION.

PARTS LIST

Interface Plate x 1

Adaptor Plates x 2

M5 x 12mm Screws x 4 1/4" Washers x 4

DESCRIPTION	QTY
SPACER Ø12 x 5.5 x L12	6
SPACER Ø14 x 6.5 x L95	4
SPACER Ø13 x 8.5 x L12	4
SPACER Ø10 x 13.5 x L13	4
M8 x 20mm Screw	4
M8 x 40mm Screw	4
M8 x 25 mm Screw	4
M8 x 20mm Screw	6
M8 x 20mm Screw	6
M8 x 20mm Screw	4
M8 x 20mm Screw	6
M4 x 20mm Screw	8
WASHER Ø576 x Ø10 x T2	8
WASHER Ø14 x Ø10 x T1.6	8
WASHER Ø5 x Ø12 x T1.0	8

LARGE FLAT SCREEN CEILING MOUNT ACCESSORY KIT

PLEASE KEEP THIS PARTS LIST FOR FUTURE REFERENCE

Part Number	Part Name	Quantity
1	MOUNTING PLATE	1
2	Ø 60mm ACCESSORY COLLAR	2
3	M10 x 15mm BRAKE SCREW	8
4	ALLEN KEY	1
5	M8 x 12mm SECURITY SCREW	4
6	M8 X 12mm SCREW	8
7	LONG ALLEN KEY	1

