

Produkt



LCD/TFT

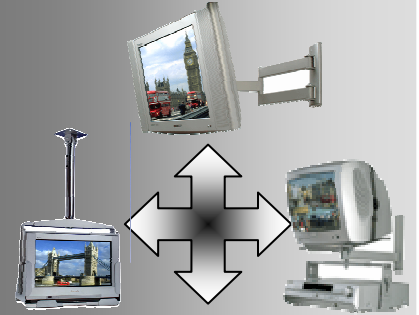
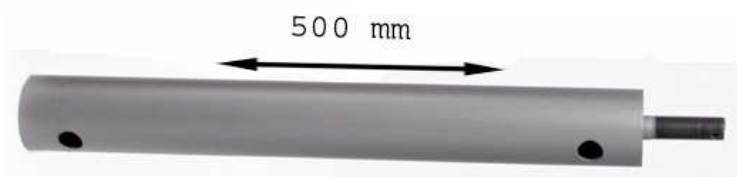
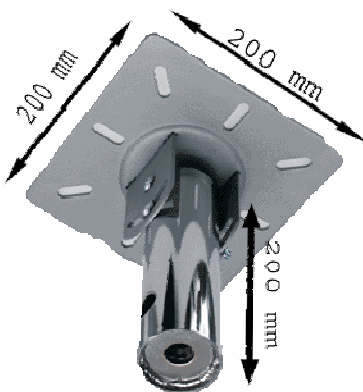
Deckenhalter: DT 7561

Artikelnummer: 1039

Technische Daten

maximale Belastbarkeit:	20 kg
Verfügbare Farben:	graphitschwarz, silber
TÜV/GS-Zulassung:	nein
Standart Garantie:	2 Jahre

Technische Zeichnung



TV - Halter
Monitor - Halter
LCD - Halter
Rollwagen
TFT – Halter
Drehteller
Beamer - Halter
Plasma – Halter

Adresse:
Roland Walter
Heinrich-Hertz-Str. 5
86179 Augsburg

Kontakt:
Tel: 0821 – 88 86 33
Fax: 0821- 81 51 145
Internet:
www.wandhaltershop.de
email: re-mote@re-mote.com

Bankverbindung
Stadtsparkasse Augsburg
BLZ: 720 500 00
KTO: 240 373 555

Inhaber: Walter Roland

Es gelten unsere AGB's

Explosions- Zeichnung zu Artikel 1039

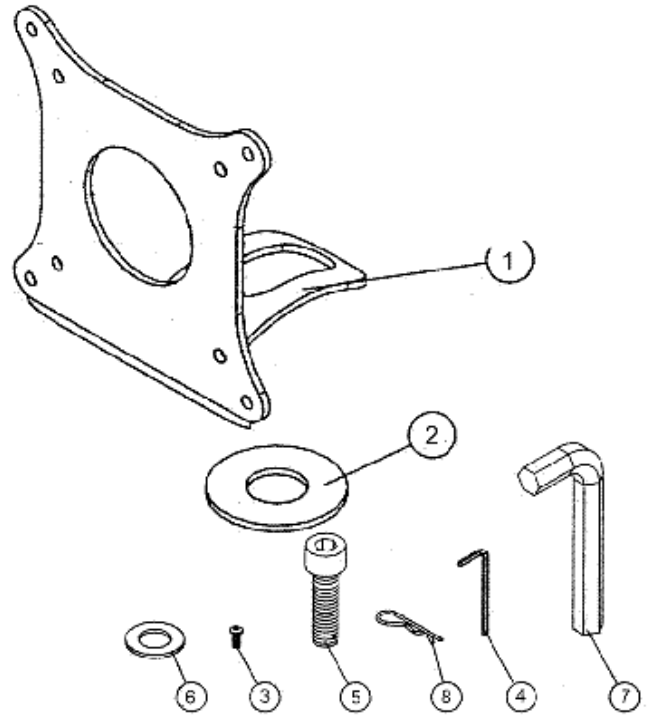
LCD VESA MOUNT ADAPTOR FOR 60MM DIAMETER TUBE METRIC VERSION WITH M16 ALLEN SCREW

PLEASE KEEP THIS PARTS LIST FOR FUTURE REFERENCE

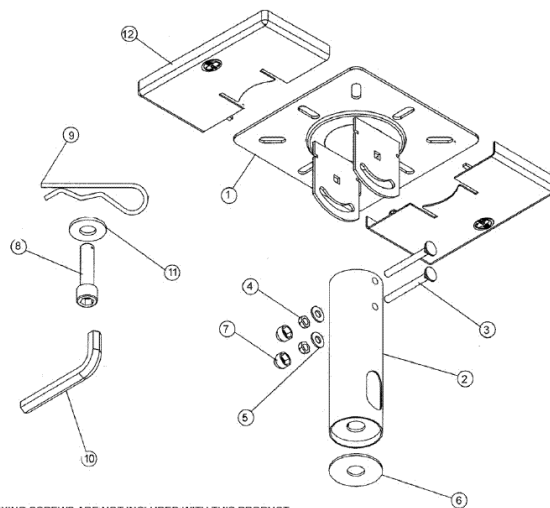
FOR MOUNTING VESA STANDARD FIXINGS 75MM / 100MM

PARTS LIST

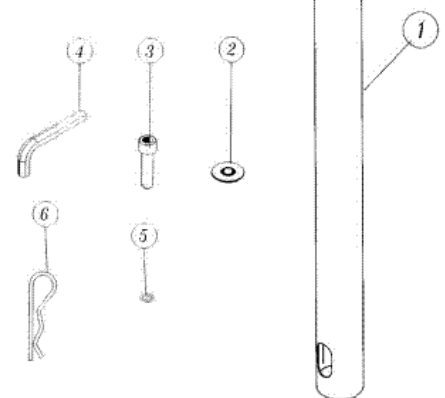
Part Number	Part Name	Quantity
1	VESA MOUNT	1
2	ø46mm WASHER	1
3	M4 x 10mm SCREW	4
4	M3 ALLEN KEY (fits M4 Allen screw)	1
5	M16 x 50mm ALLEN BOLT	1
6	ø30mm WASHER	1
7	M14 ALLEN KEY (fits M16 Allen Bolt)	1
8	SPRING CLIP	1



Number	Part Name	Quantity
1	CEILING MOUNT PLATE (200mm x 200mm)	1
2	200mm EXTENSION TUBE (ø60mmØ)	1
3	M8 COACH BOLT	2
4	M8 NUT	2
5	ø19mm WASHER	2
6	ø60mm WASHER	1
7	M8 NUT COVER	2
8	M16 x L75mm SCREW	1
9	SPRING CLIP	1
10	ALLEN KEY	1
11	WASHER ø38mm	1
12	COVER PLATE	2



Part Number	Part Name	Quantity
1	50cm ø 60mm POLE	1
2	WASHER	1
3	M16 x L50mm ALLEN SCREW	1
4	M14 ALLEN KEY	1
5	RUBBER RETAINING RING	1
6	SPRING CLIP	1



IMPORTANT : PLEASE NOTE THAT WALL / CEILING FIXING SCREWS ARE NOT INCLUDED WITH THIS PRODUCT.
B-TECH HIGHLY RECOMMENDS THAT THIS PRODUCT SHOULD BE INSTALLED BY A PROFESSIONAL.
THE INSTALLER MUST SATISFY THEMSELVES THAT ALL FIXING SCREWS ARE SUITABLE FOR INSTALLING THIS MOUNT.
PLEASE PAY CAREFUL ATTENTION TO WHERE THIS MOUNT IS LOCATED. SOME WALLS / CEILINGS ARE NOT SUITABLE FOR INSTALLATION.
WHEN DRILLING HOLES IT IS PARTICULARLY IMPORTANT TO TAKE CARE OF ELECTRICAL CABLES, WATER OR GAS PIPES IN THE WALL.