

Produkt



LCD/TFT

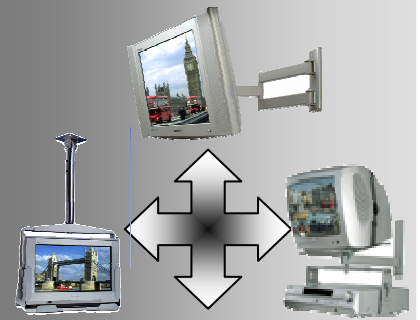
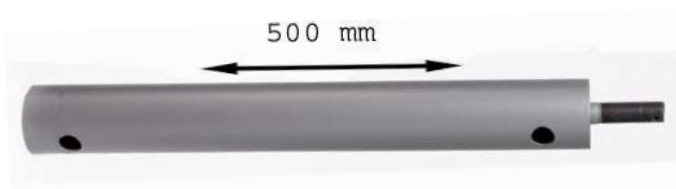
Stahlträgerhalter: ST 7561

Artikelnummer: 1046

Technische Daten

maximale Belastbarkeit:	20 kg
Verfügbare Farben:	graphitschwarz, silber
TÜV/GS-Zulassung:	ja
Standart Garantie:	2 Jahre

Technische Zeichnung



TV - Halter
Monitor - Halter
LCD - Halter
Rollwagen
TFT – Halter
Drehteller
Beamer - Halter
Plasma – Halter

Adresse:
Roland Walter
Heinrich-Hertz-Str. 5
86179 Augsburg

Kontakt:
Tel: 0821 – 88 86 33
Fax: 0821- 81 51 145
Internet:
www.wandhaltershop.de
email: re-mote@re-mote.com

Bankverbindung
Stadtsparkasse Augsburg
BLZ: 720 500 00
KTO: 240 373 555

Inhaber: Walter Roland

Es gelten unsere AGB's

Explosions- Zeichnung zu Artikel 1046

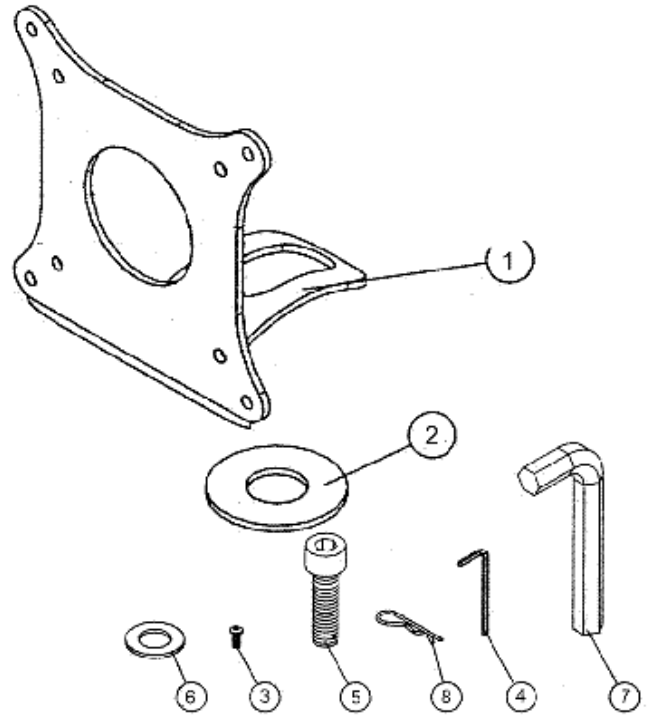
LCD VESA MOUNT ADAPTOR FOR 60MM DIAMETER TUBE METRIC VERSION WITH M16 ALLEN SCREW

PLEASE KEEP THIS PARTS LIST FOR FUTURE REFERENCE

FOR MOUNTING VESA STANDARD FIXINGS 75MM / 100MM

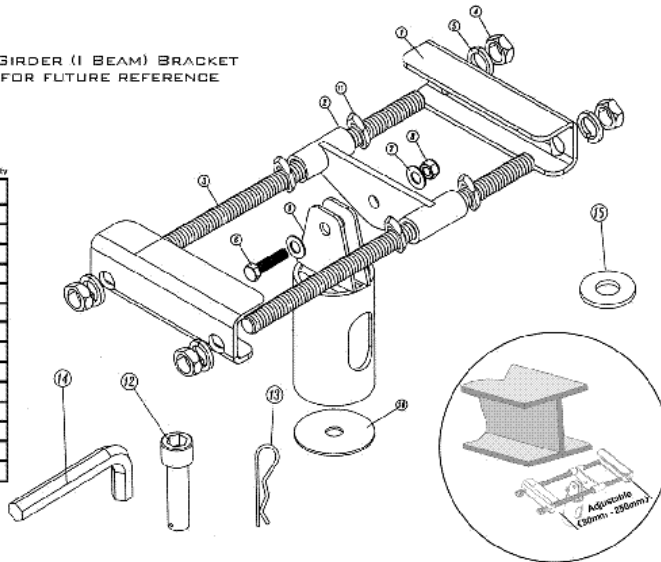
PARTS LIST

Part Number	Part Name	Quantity
1	VESA MOUNT	1
2	ø46mm WASHER	1
3	M4 x 10mm SCREW	4
4	M3 ALLEN KEY (fits M4 Allen screw)	1
5	M16 x 50mm ALLEN BOLT	1
6	ø30mm WASHER	1
7	M14 ALLEN KEY (fits M16 Allen Bolt)	1
8	SPRING CLIP	1

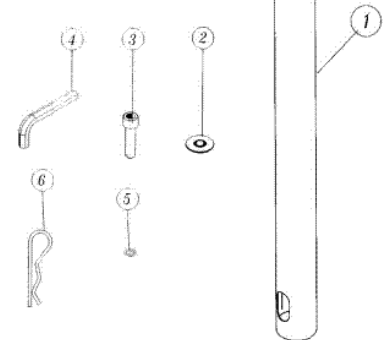


THIS PACK CONTAINS 1 CEILING GIRDER (I BEAM) BRACKET
PLEASE KEEP THIS PARTS LIST FOR FUTURE REFERENCE

Part Number	Part Name	Quantity
1	GIRDER CLAMP	2
2	ADJUSTABLE BRACKET	1
3	M16 THREADED ROD	2
4	M16 NUT	4
5	SPRING WASHER	4
6	M10 x 30mm BOLT	1
7	M10 WASHER 1mm	2
8	M10 NYLOC NUT	1
9	Ø 60mm TUBE ADAPTOR	1
10	Ø 60mm WASHER 2.5mm	1
11	M16 LOCKING NUT	4
12	M16 x L75mm SCREW	1
13	SPRING CLIP	1
14	M14 ALLEN KEY	1
15	ø38mm WASHER	1



Part Number	Part Name	Quantity
1	50cm ø 60mm POLE	1
2	WASHER	1
3	M16 x L50mm ALLEN SCREW	1
4	M14 ALLEN KEY	1
5	RUBBER RETAINING RING	1
6	SPRING CLIP	1



Adjustable Width:
Min. 80mm (3") - Max. 250mm (10")