

## Produkt



**LCD/TFT**

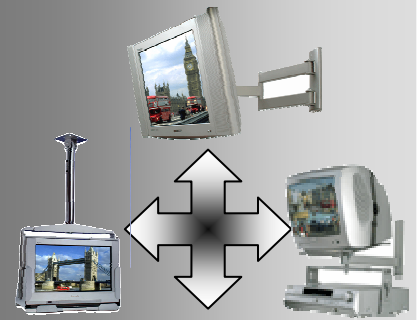
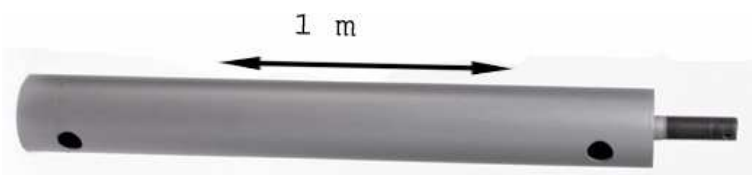
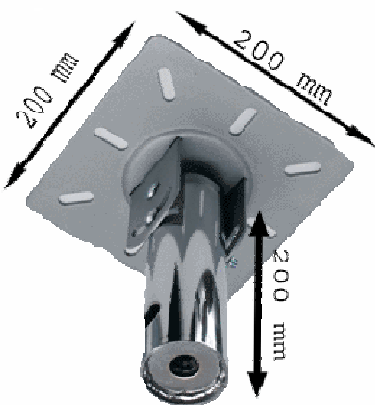
**Deckennhalter: DTD 7561 EL**

**Artikelnummer: 1049**

## Technische Daten

maximale Belastbarkeit:	<b>20 kg</b>
Verfügbare Farben:	<b>graphitschwarz, silber</b>
TÜV/GS-Zulassung:	<b>nein</b>
Standart Garantie:	<b>2 Jahre</b>

## Technische Zeichnung



TV - Halter  
Monitor - Halter  
LCD - Halter  
Rollwagen  
TFT – Halter  
Drehteller  
Beamer - Halter  
Plasma – Halter

Adresse:  
Roland Walter  
Heinrich-Hertz-Str. 5  
86179 Augsburg

Kontakt:  
Tel: 0821 – 88 86 33  
Fax: 0821- 81 51 145  
Internet:  
[www.wandhaltershop.de](http://www.wandhaltershop.de)  
email: [re-mote@re-mote.com](mailto:re-mote@re-mote.com)

Bankverbindung  
Stadtsparkasse Augsburg  
BLZ: 720 500 00  
KTO: 240 373 555

Inhaber: Walter Roland

Es gelten unsere AGB's

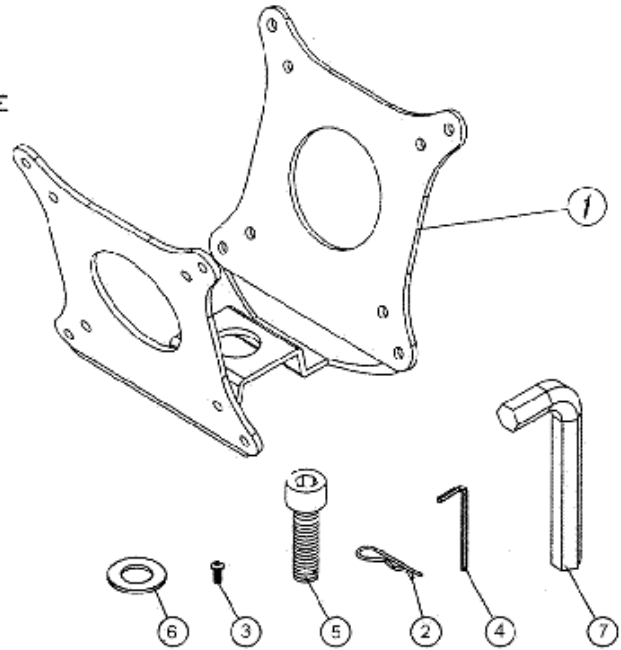
# Explosions- Zeichnung zu Artikel 1049

## DOUBLE LCD VESA MOUNT ADAPTOR FOR 60MM DIAMETER TUBE METRIC VERSION WITH M16 ALLEN SCREW

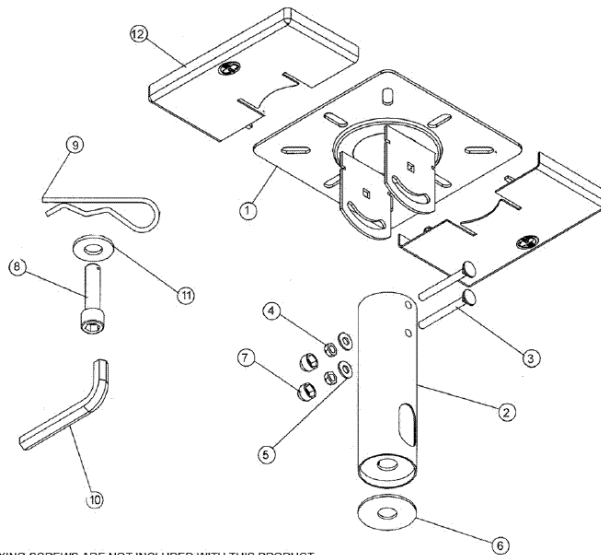
PLEASE KEEP THIS PARTS LIST FOR FUTURE REFERENCE  
FOR MOUNTING VESA STANDARD FIXINGS 75MM / 100MM

### PARTS LIST

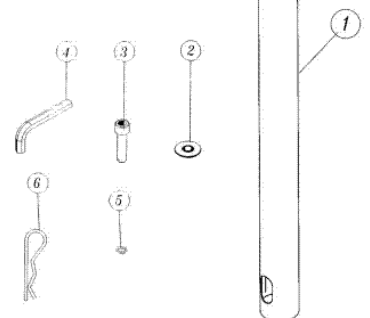
Part Number	Part Name	Quantity
1	VESA MOUNT	1
2	SPRING CLIP	1
3	M4 x 10mm SCREW	8
4	M3 ALLEN KEY (fits M4 Allen screw)	1
5	M18 x 50mm ALLEN BOLT	1
6	ø25mm WASHER	1
7	M14 ALLEN KEY (fits M16 Allen bolt)	1



Number	Part Name	Quantity
1	CEILING MOUNT PLATE (200mm x 200mm)	1
2	200mm EXTENSION TUBE (60mmØ)	1
3	M8 COACH BOLT	2
4	M8 NUT	2
5	ø19mm WASHER	2
6	ø60mm WASHER	1
7	M8 NUT COVER	2
8	M16 x L75mm SCREW	1
9	SPRING CLIP	1
10	ALLEN KEY	1
11	WASHER ø38mm	1
12	COVER PLATE	2



Part Number	Part Name	Quantity
1	1 METRE ø60mm POLE	1
2	WASHER	1
3	M16 x L50mm ALLEN SCREW	1
4	M14 ALLEN KEY	1
5	RUBBER RETAINING RING	1
6	SPRING CLIP	1



**IMPORTANT :** PLEASE NOTE THAT WALL / CEILING FIXING SCREWS ARE NOT INCLUDED WITH THIS PRODUCT.  
B-TECH HIGHLY RECOMMENDS THAT THIS PRODUCT SHOULD BE INSTALLED BY A PROFESSIONAL.  
THE INSTALLER MUST SATISFY THEMSELVES THAT ALL FIXING SCREWS ARE SUITABLE FOR INSTALLING THIS MOUNT.  
PLEASE PAY CAREFUL ATTENTION TO WHERE THIS MOUNT IS LOCATED. SOME WALLS / CEILINGS ARE NOT SUITABLE FOR INSTALLATION.  
WHEN DRILLING HOLES IT IS PARTICULARLY IMPORTANT TO TAKE CARE OF ELECTRICAL CABLES, WATER OR GAS PIPES IN THE WALL.