

Produkt



LCD/TFT

Decknhalter: STD 7561

Artikelnummer: 1054

Technische Daten

maximale Belastbarkeit:	20 kg
Verfügbare Farben:	graphitschwarz
TÜV/GS-Zulassung:	nein
Standart Garantie:	2 Jahre

Technische Zeichnung



Adresse:

Roland Walter
Heinrich-Hertz-Str. 5
86179 Augsburg

Kontakt:

Tel: 0821 – 88 86 33
Fax: 0821- 81 51 145

Internet:

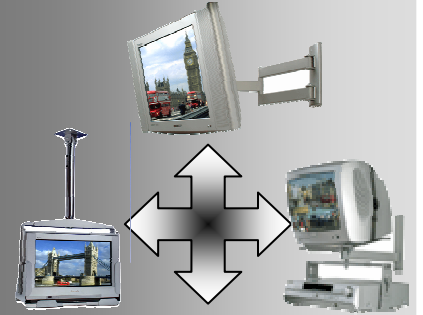
www.wandhaltershop.de
email: re-mote@re-mote.com

Bankverbindung

Stadtsparkasse Augsburg
BLZ: 720 500 00
KTO: 240 373 555

Inhaber: Walter Roland

Es gelten unsere AGB's



TV - Halter

Monitor - Halter

LCD - Halter

Rollwagen

TFT – Halter

Drehteller

Beamer - Halter

Plasma – Halter

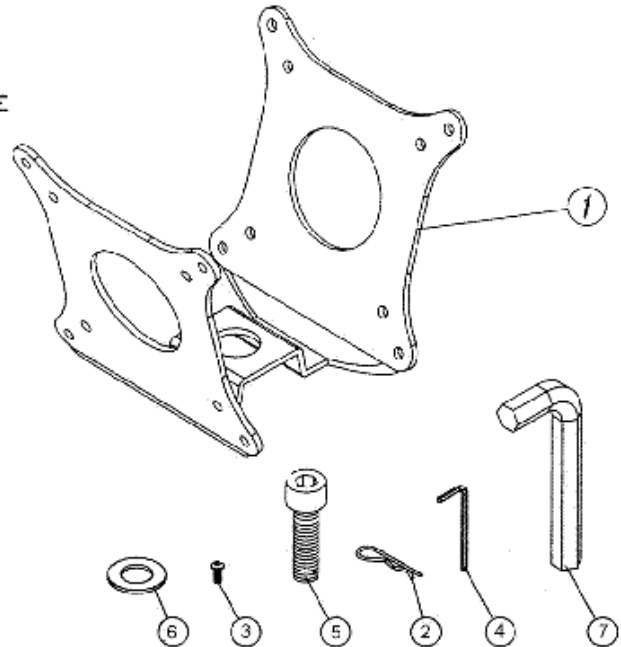
Explosions- Zeichnung zu Artikel 1054

DOUBLE LCD VESA MOUNT ADAPTOR FOR 60MM DIAMETER TUBE METRIC VERSION WITH M16 ALLEN SCREW

PLEASE KEEP THIS PARTS LIST FOR FUTURE REFERENCE
FOR MOUNTING VESA STANDARD FIXINGS 75MM / 100MM

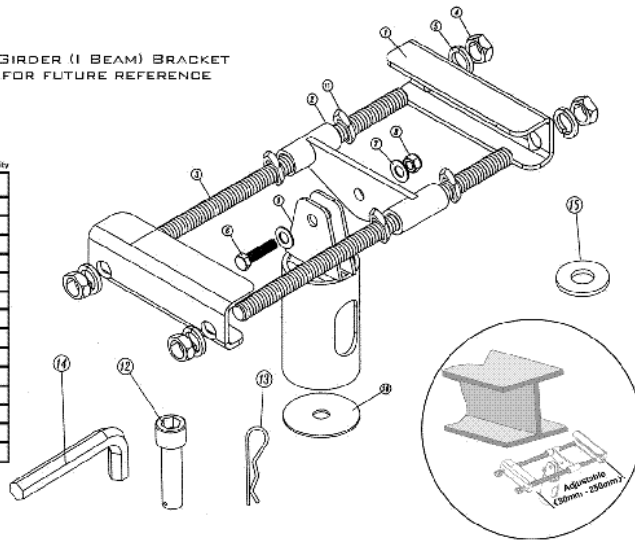
PARTS LIST

Part Number	Part Name	Quantity
1	VESA MOUNT	1
2	SPRING CLIP	1
3	M4 x 10mm SCREW	8
4	M3 ALLEN KEY (fits M4 Allen screw)	1
5	M18 x 50mm ALLEN BOLT	1
6	ø25mm WASHER	1
7	M14 ALLEN KEY (fits M16 Allen bolt)	1

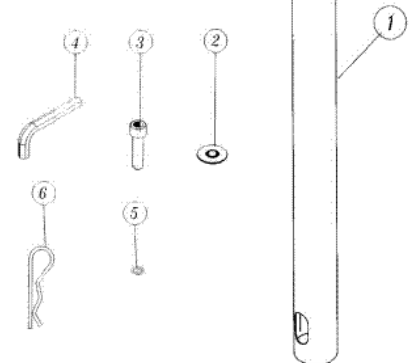


THIS PACK CONTAINS 1 CEILING GIRDER (I BEAM) BRACKET
PLEASE KEEP THIS PARTS LIST FOR FUTURE REFERENCE

Part Number	Part Name	Quantity
1	GIRDER CLAMP	2
2	ADJUSTABLE BRACKET	1
3	M16 THREADED ROD	2
4	M16 NUT	4
5	SPRING WASHER	4
6	M10 x 30mm BOLT	1
7	M10 WASHER 1mm	2
8	M10 NYLOC NUT	1
9	Ø 60mm TUBE ADAPTOR	1
10	Ø 60mm WASHER 2.5mm	1
11	M16 LOCKING NUT	4
12	M16 x L75mm SCREW	1
13	SPRING CLIP	1
14	M14 ALLEN KEY	1
15	ø38mm WASHER	1



Part Number	Part Name	Quantity
1	50cm ø 60mm POLE	1
2	WASHER	1
3	M16 x L50mm ALLEN SCREW	1
4	M14 ALLEN KEY	1
5	RUBBER RETAINING RING	1
6	SPRING CLIP	1



Adjustable Width:
Min. 80mm (3") - Max. 250mm (10")